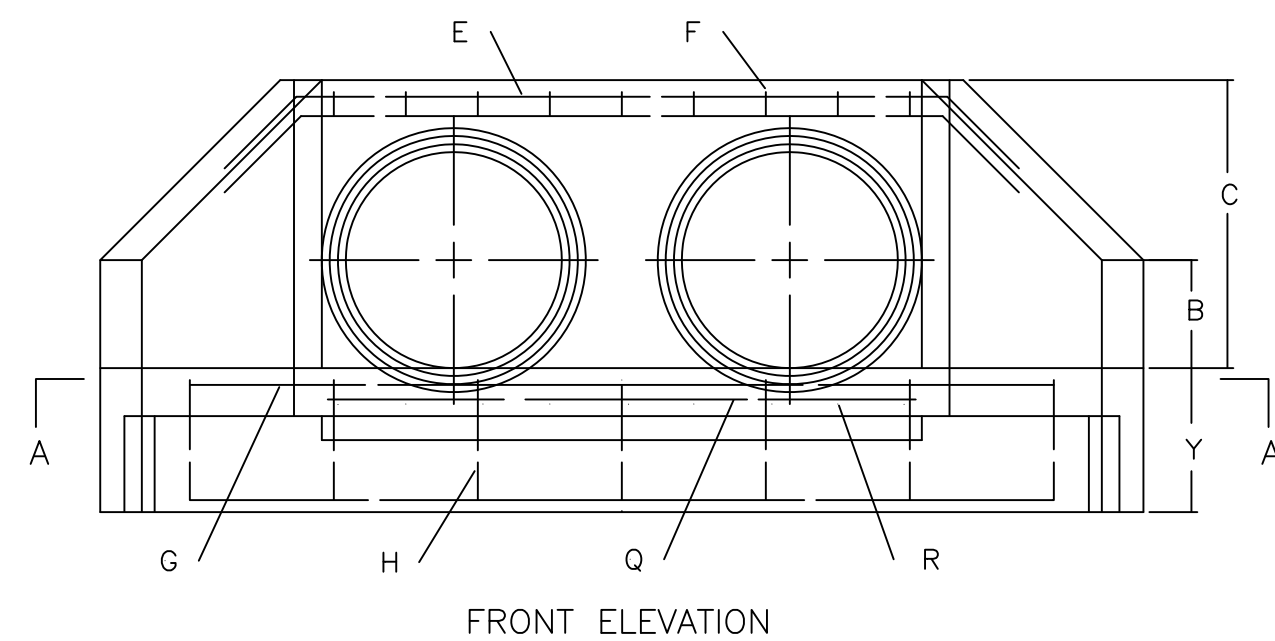
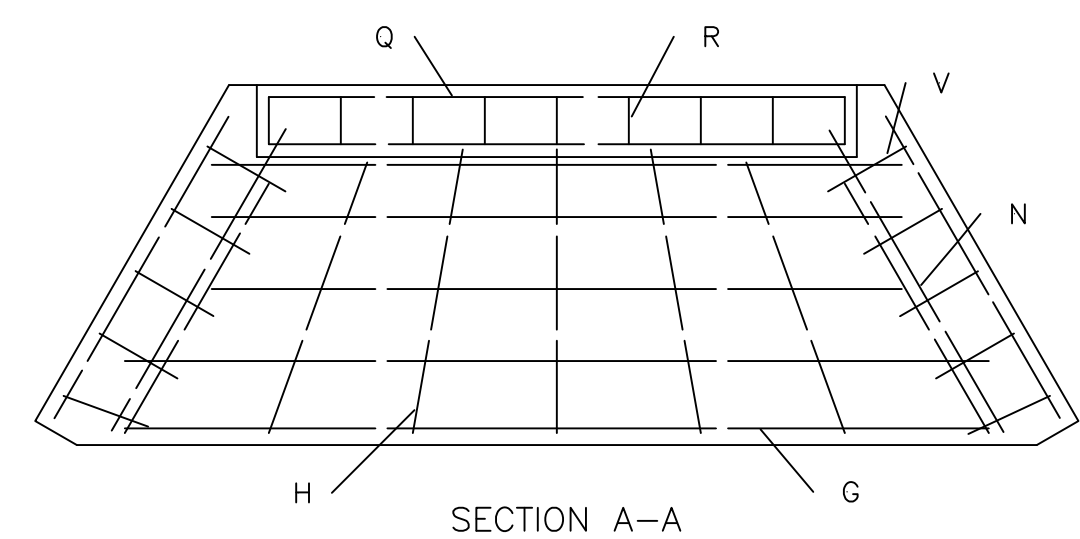


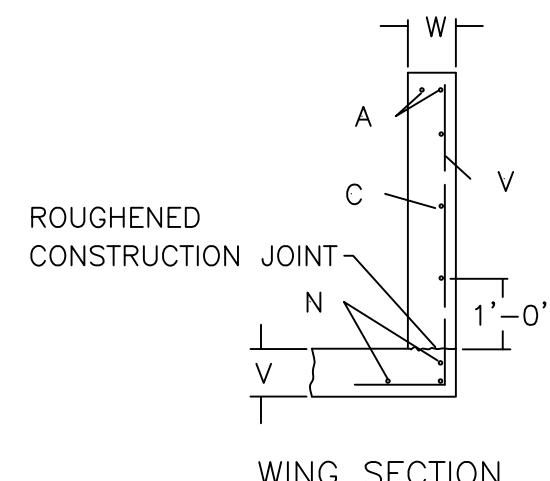
PLAN VIEW



FRONT ELEVATION

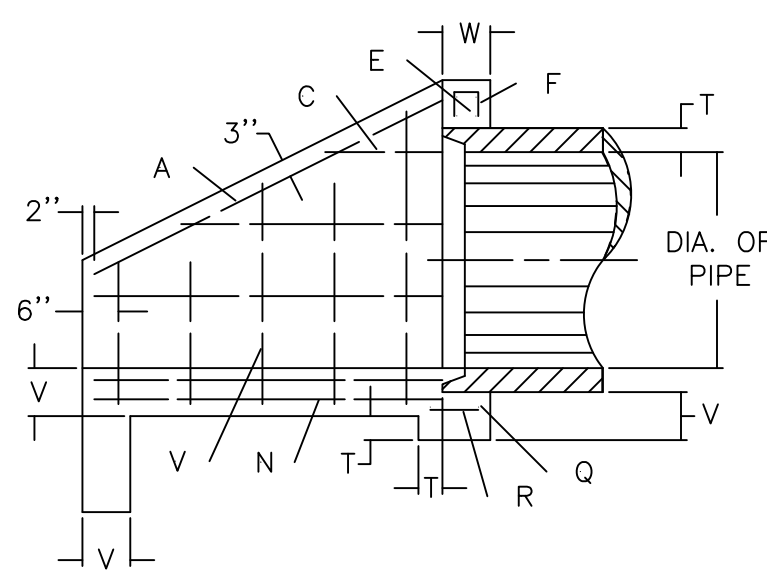


SECTION A-A



WING SECTION

ROUGHENED CONSTRUCTION JOINT



SECTION B-B

- ~ NOTES ~
- SEE CURRENT STANDARD DRAWING RDH-522 AND 524 FOR DIMENSIONS, QUANTITIES AND BILL OF REINFORCEMENT.
 - ENCIRCLED LETTERS, (), INDICATE STEEL BAR LOCATIONS.
 - BAR (), (), (), ARE SPACED 1'-0" O.C. ALL OTHER BARS SHALL BE EVENLY SPACED.
 - BAR () ARE PLACED IN ORDER OF INCREASING LENGTHS, BEGINNING AT THE END OF EACH WING.
 - BAR () ARE PLACED IN ORDER OF INCREASING LENGTHS, BEGINNING AT THE TOP OF EACH WING.
 - HEADWALLS LOCATED AT EDGE OF SHOULDER SHALL BE PARALLEL TO CENTERLINE OF THE ROAD.
 - APRON BETWEEN WINGS SHALL BE SLOPED IN DIRECTION OF FLOW EQUAL TO SLOPE OF PIPE. FRONT FACE OF HEADWALL AND ENDS OF WINGS SHALL REMAIN VERTICAL.
 - DIMENSIONS FROM FACE OF CONCRETE TO STEEL SHALL BE 2" CLEAR DISTANCE.
 - 4' HIGH CHAIN LINK FENCE IS REQUIRED.

DIMENSIONS FOR MULTIPLE PIPE HEADWALLS - 0° SKEW									
DIMENSION	DOUBLE				TRIPLE				DIMENSION
	30"	36"	42"	48"	30"	36"	42"	48"	
A	3'-9"	4'-4"	4'-11"	5'-6"	3'-9"	4'-4"	4'-11"	5'-6"	A
B	1'-3"	1'-6"	1'-9"	2'-0"	1'-3"	1'-6"	1'-9"	2'-0"	B
C	3'-6"	4'-0"	4'-7"	5'-1"	3'-6"	4'-0"	4'-7"	5'-1"	C
E	7'-2"	8'-4"	9'-6"	10'-8"	11'-3"	13'-0"	14'-9"	16'-6"	E
F	4'-4"	5'-0"	5'-8"	6'-4"	4'-4"	5'-0"	5'-8"	6'-4"	F
H	11'-6"	13'-4"	15'-2"	17'-0"	15'-6"	18'-0"	20'-6"	22'-10"	H
J	--	--	--	--	7'-9"	9'-0"	10'-3"	11'-5"	J
M	--	--	0'-5"	--	--	--	0'-5"	--	M
T	0'-3.5"	0'-4"	0'-4.5"	0'-5"	0'-3.5"	0'-4"	0'-4.5"	0'-5"	T
V	--	0'-8"	--	--	--	0'-8"	--	--	V
W	--	0'-8"	--	--	--	0'-8"	--	--	W
Y	--	2'-0"	--	--	--	2'-0"	--	--	Y
CLASS "A" CONC. CU. YDS. 2 HEADWALLS	4.91	6.22	7.75	9.38	6.49	8.20	10.19	12.30	CLASS "A" CONC. CU. YDS. 2 HEADWALLS
LBS. STEEL 2 HEADWALLS	379	480	561	660	475	594	702	797	LBS. STEEL 2 HEADWALLS

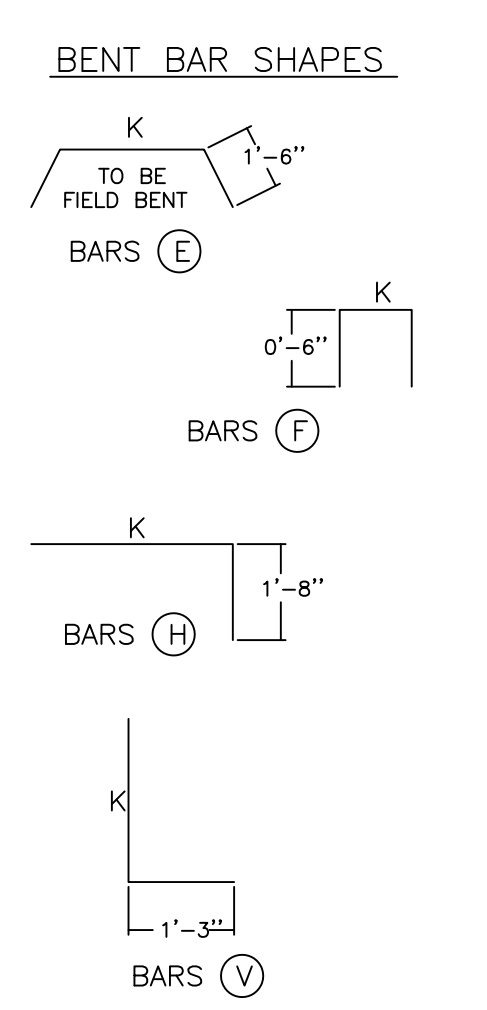
USE WITH CURRENT STD. DWG. RDH-510 OR RDH-520

DOUBLE PIPE CULVERT HEADWALLS 0° SKEW DIMENSIONS
DOH STD. DWG#: RDH-522-02

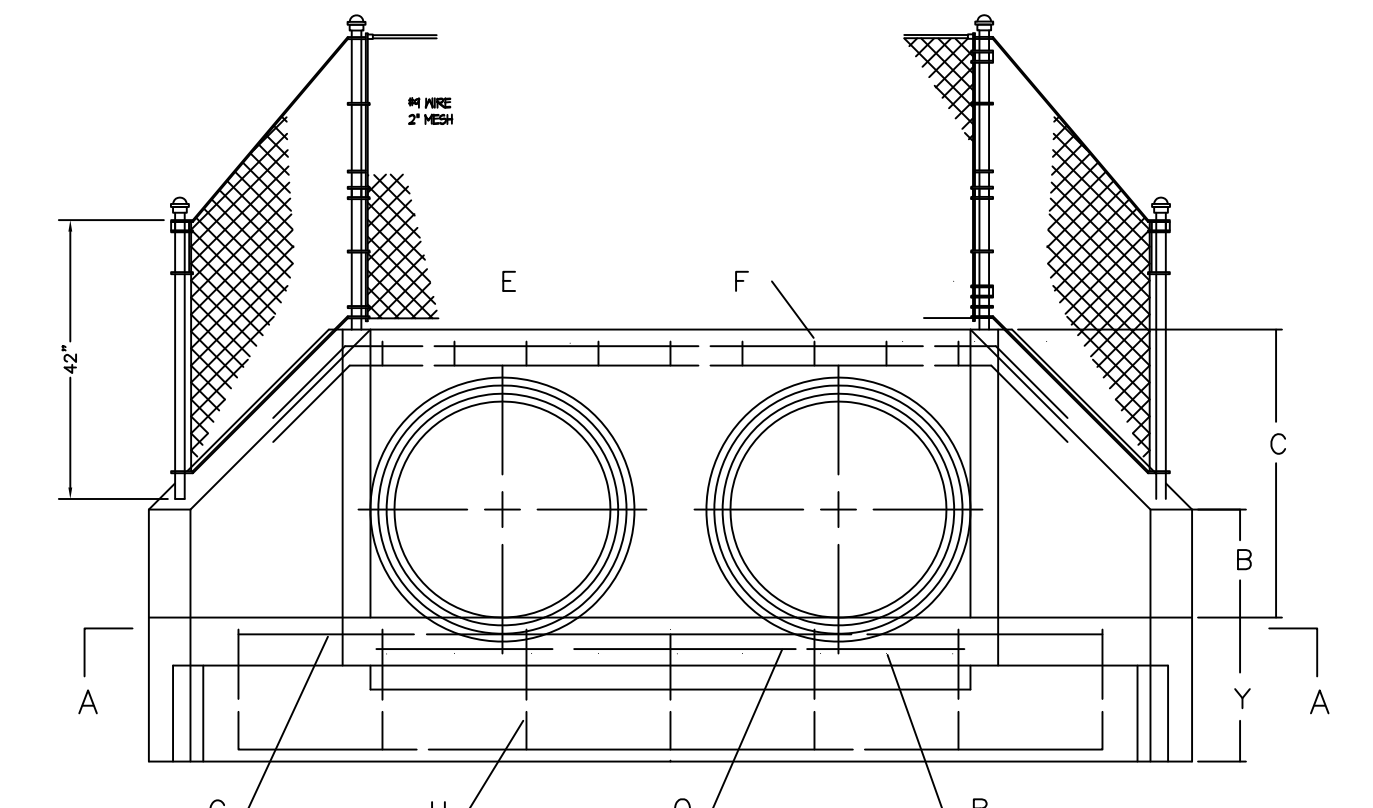
DOUBLE PIPE CULVERT HEADWALLS 0° SKEW
DOH STD. DWG#: RDH-510-04

K	S	N	Q	R	V	W	X	Y	Z	DOUBLE 30"		42"		TRIPLE 30"		42"			
										1	2	1	2	1	2	1	2		
A	5	4	4	8	C1	4	2	2	4	A	5	4	6	2	A	5	4	6	2
C1	4	2	2	4	C3	4	2	2	4	C1	4	2	2	4	C3	4	2	2	4
C2	4	2	4	2	E1	5	2	10	6	E1	5	2	12	10	E2	5	2	18	11
E1	5	2	10	6	E2	5	2	13	10	E1	5	2	14	7	E2	5	2	18	15
E2	5	2	10	8	F	4	10	1	3	F	4	12	1	3	F	4	15	1	3
F	4	8	1	3	G1	4	3	11	5	G1	4	3	11	5	G2	4	3	16	8
G1	4	2	7	8	G2	4	3	13	9	G1	4	2	11	10	G2	4	3	19	1
G2	4	3	10	0	H	4	7	6	3	H	4	7	6	3	H	4	10	6	3
H	4	6	5	1	I	4	6	5	1	I	4	6	5	1	I	4	6	5	6
I	4	6	4	2	J	4	2	9	2	J	4	2	9	2	J	4	2	14	5
J	4	2	7	1	K	4	10	10	9	K	4	2	11	1	K	4	15	0	9
K	4	8	0	8	L	5	4	3	6	L	5	4	3	6	L	5	4	3	6
L	5	4	3	1	M	5	4	4	6	M	5	4	4	3	M	5	4	4	6
M	5	4	4	1	N	5	4	4	1	N	5	4	4	1	N	5	4	4	3
N	5	4	4	1	O	5	4	4	1	O	5	4	4	1	O	5	4	4	3

- NOTES
- NUMBER OF BARS IN ONE HEADWALL.
 - DIMENSIONS ARE 0. TO 0. OF BARS.
 - ALL BARS ARE STRAIGHT EXCEPT THOSE SHOWN BELOW.

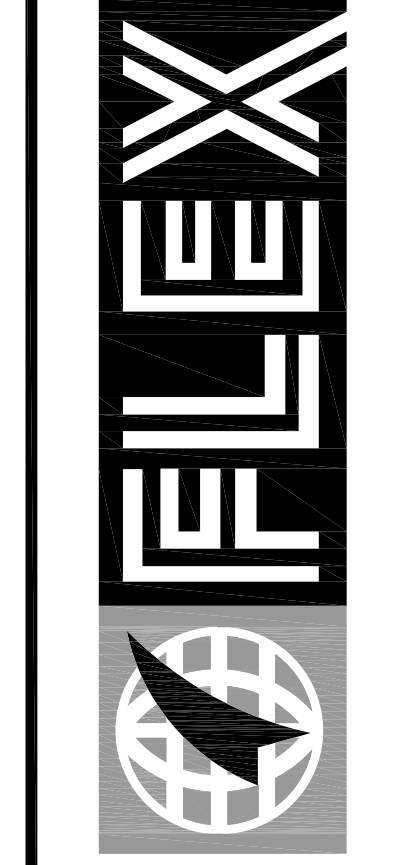


(USE WITH CURRENT STD. DWG. NO. RDH-510 OR RDH-520)



CHAIN LINK FENCE REQUIRED ON ALL HEADWALLS FOR CULVERTS GREATER THAN 24"

DOUBLE PIPE CULVERT HEADWALLS 0° SKEW BILL OF REINFORCEMENT
DOH STD. DWG#: RDH-524-03



FLEX FILMS (U.S.A.) INC.
1221 NORTH BLACK BRANCH ROAD
ELIZABETHTOWN, KENTUCKY 42702
PROJECT L-12 BOPET U.S.A.

DATE	REVISION	BY

PROJECT NO. 2064-25
DESIGNED BY G.A.R.
DRAWN BY J.R.M.
CHECKED BY G.A.R.
REVIEWED BY G.A.R.
DATE JUNE 2011
SCALE AS SHOWN

Engineers
Architects
Planners
OF KENTUCKY, INC.
624 Wallington Way
Lexington, KY 40503
Phone: (859)223-5664
Fax: (859)223-2607
www.nseinc.com

DRAWING NO.
UFL-L12
C-110.2